



Seal-Scraper - Type ARAN

Seal-Scraper type ARAN

Description

Asymmetric lip seal with sealing lip and scraper lip. Very good protection against dirt ingress. Special groove and seal design allows fast installation either automatically or manually.

Assembly space equal to ARAA, ARS and ARV items.

Technical data

Operating pressure: 1.6 MPa

Speed: ≤ 1 m/s

Temperature: from -40 °C to +80 °C

Media: oil free air (initial grease lubrication required), lubricated air, nonaggressive gases

Material

Standard polyurethane with fair performance level.

Standard Material: Polyurethane, 90 Shore A, Material No.: WU9E1

Installation

The ARAN-seal-scraper snaps into a special groove. Separate fixing elements are not necessary. It is important to remove all sharp edges from the groove and shaft to prevent damaging the seal / seal lips. Note: Avoid grease on outer diameter and groove.

Ordering example

Rod wiper,
type ARAN
Rod diameter: d = 20 mm
Groove width: L = 8.8 mm
TSS Part No.: ARAN00200 (Table XXXI)
Material No.: WU9E1

TSS Article No.	ARAN0	0200	-	WU9E1
TSS Series No.				
Rod diameter x 10				
Material No.:				



Installation recommendation type ARAN

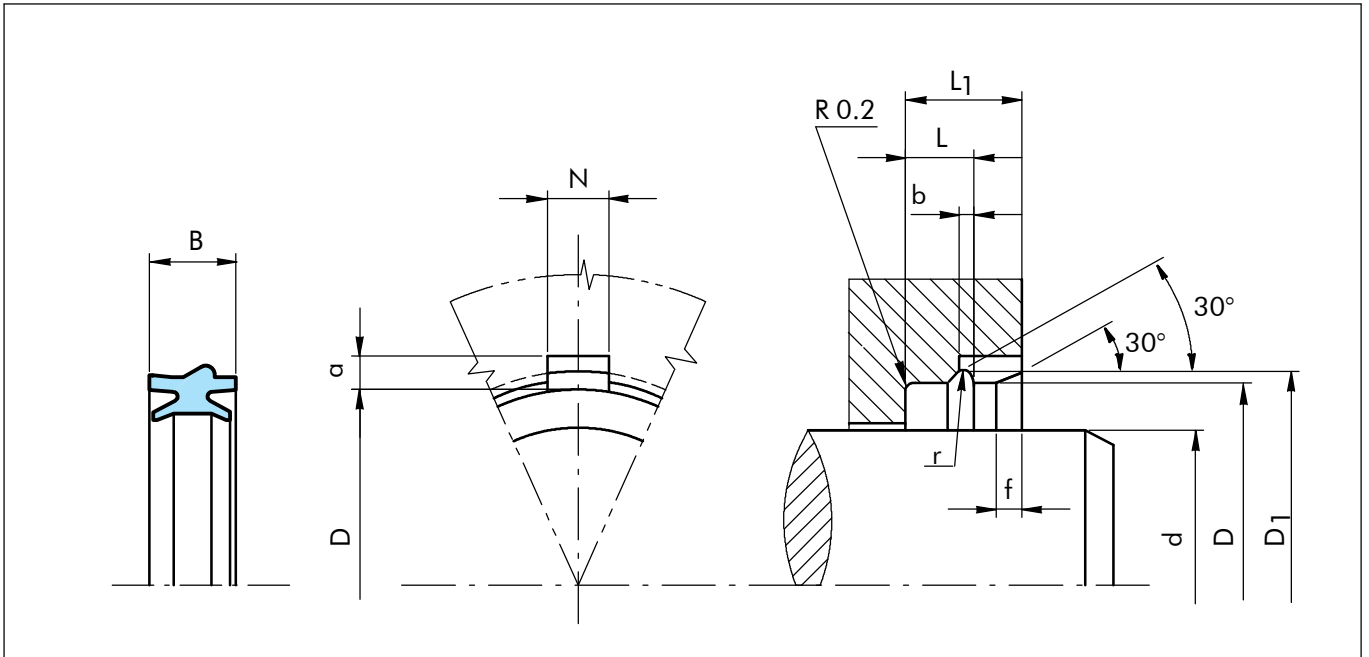


Figure 16 Installation drawing

Table XXXI Installation dimensions / TSS Part No.

Rod diameter	Groove dimensions									Ring width	TSS Part No.
	D H10	D ₁ H10	L ₁ +0.5	L+0.25	b	r	a	N	f		
12.0	20.0	22.0	13.0	8.8	2.2	1.1	1.8	4.0	1.5	10.7	ARAN00120
12.0	22.0	24.0	13.0	8.8	2.2	1.1	1.8	4.0	1.5	10.7	ARAN10120
16.0	26.0	28.0	13.0	8.8	2.2	1.1	1.8	5.0	1.5	10.7	ARAN00160
18.0	26.0	28.0	13.0	8.8	2.2	1.1	1.8	5.0	1.5	10.7	ARAN00180
18.0	28.0	30.0	13.0	8.8	2.2	1.1	1.8	5.0	1.5	10.7	ARAN10180
20.0	30.0	32.0	13.0	8.8	2.2	1.1	1.8	5.0	1.5	10.7	ARAN00200
22.0	32.0	34.5	14.0	9.4	2.8	1.4	2.0	7.5	2.0	11.2	ARAN00220
25.0	35.0	37.5	14.0	9.4	2.8	1.4	2.0	7.5	2.0	11.2	ARAN00250
30.0	40.0	42.5	14.0	9.4	2.8	1.4	2.0	7.5	2.0	11.2	ARAN00300
32.0	42.0	44.5	14.0	9.4	2.8	1.4	2.0	7.5	2.0	11.2	ARAN00320
40.0	50.0	52.5	14.0	9.4	2.8	1.4	2.0	7.5	2.0	11.2	ARAN00400
45.0	55.0	58.2	15.0	10.4	3.6	1.8	2.5	10.0	2.0	12.2	ARAN00450
50.0	60.0	63.2	15.0	10.4	3.6	1.8	2.5	10.0	2.0	12.2	ARAN00500