



■ Piston seal type APDS

Description

Single acting piston seal with U-shaped cross-section. For double acting pistons, two seals are used "back to back". Same design as APDE-type, but lower interference of the dynamic lip for reduced friction and break-off pressure. Recommended for return spring cylinders. Note: good guiding system required. Suitable for cylinders with pneumatic cushioning.

Technical data

Operating pressure: 1.6 MPa

Speed: ≤ 1 m/s

Temperature: from -40 °C to +80 °C

Media: oil free air (initial grease lubrication required), lubricated air, nonaggressive gases

Material

Standard polyurethane with fair performance level.

Standard Material: Polyurethane, 90 Shore A,
Material No.: WU9E1

Installation

Snap-in installation into closed grooves. It is important to remove all sharp edges and burrs from the groove and tube before installation.

Ordering example

Piston Seal,
type APDS
Piston diameter: D = 20 mm
Groove width: L = 3 mm
TSS Part No.: APDS00200 (Table XX)
Material No.: WU9E1

TSS Article No.	APDS0	0200	-	WU9E1
TSS Series No.				
Piston diameter x 10				
Material Code				



Piston Seal - Type APDS

Installation recommendation, type APDS

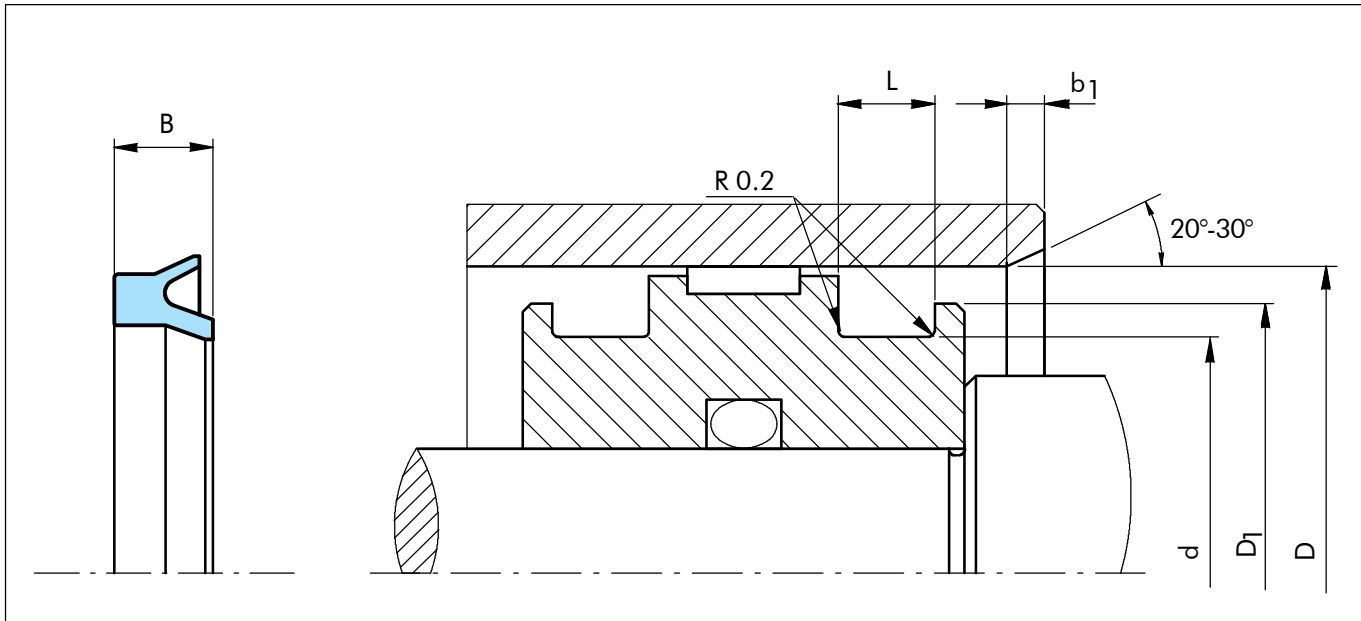


Figure 7 Installation drawing

Table XX Installation dimensions / TSS Part No.

Bore diameter	Flange diameter	Groove diameter	Groove width	Ring width	Inlet chamfer	TSS Part No.
D H10	D ₁ h10	d h10	L +0.2	B	b ₁	
6.0	5.0	3.0	2.5	2.0	1.0	APDS00060
8.0	7.0	4.0	3.0	2.55	1.5	APDS00080
8.0	7.0	4.0	3.0	2.55	1.5	APDS20080
10.0	9.0	6.0	3.0	2.55	1.5	APDS00100
12.0	11.0	7.0	3.0	2.55	1.5	APDS00120
14.0	13.0	8.0	3.0	2.55	1.5	APDS00140
16.0	15.0	10.0	3.0	2.55	2.0	APDS00160
17.0	16.0	11.0	3.0	2.55	2.0	APDS00170
18.0	17.0	12.0	3.0	2.55	2.0	APDS00180
20.0	19.0	14.0	3.0	2.55	2.0	APDS00200
25.0	24.0	19.0	3.5	3.25	2.0	APDS00250
27.0	26.0	21.0	3.5	3.25	2.0	APDS00270
30.0	29.0	22.0	3.5	3.25	2.0	APDS00300
32.0	31.0	24.0	3.5	3.25	2.0	APDS00320
35.0	34.0	27.0	3.5	3.25	2.0	APDS00350
40.0	39.0	32.0	3.5	3.25	2.5	APDS10400
50.0	49.0	42.0	3.5	3.25	2.5	APDS00500
63.0	62.0	53.0	4.5	4.25	2.5	APDS00630
80.0	79.0	70.0	4.5	4.25	2.5	APDS00800
100.0	99.0	90.0	4.5	4.25	2.5	APDS01000