



Cushioning Seal - Type AICM

■ Cushioning seal, type AICM

Description

The cushioning seal AICM is designed especially for pneumatic cushioning where high pressure peaks occur. Effective cushioning due to lip sealing with inlet chamfer. After change of pressure direction, the integrated check valve function ensures pressure application on the full piston surface.

Technical data

Operating pressure:	1.6 MPa
Speed:	≤ 1 m/s
Temperature:	Z20 -35 °C to +110 °C WU9E1 -40 °C to +80 °C
Media:	oil free air (initial grease lubrication required), lubricated air, nonaggressive gases

Material

Standard:	Zurcon® PU, 94 Shore A, colour turquoise Material No.: Z20
-----------	---

* Available dimensions on request.

Alternative:	Standard polyurethane with fair performance level. Polyurethane, 90 Shore A, Material No.: WU9E1
--------------	--

Installation

Snap-in installation into closed grooves. It is important to remove all sharp edges and burrs from the groove and rod before installation.

Ordering example

Cushioning seal,
type AICM
Rod diameter: d = 20 mm
Groove width: L = 7 mm
TSS Part No.: AICM00200 (Table XXXV)
Material No.: Z20

TSS Article No.	AICM0	0200	-	Z20
TSS Series No.				
Rod diameter x 10				
Material Code				



Installation recommendation, type AICM

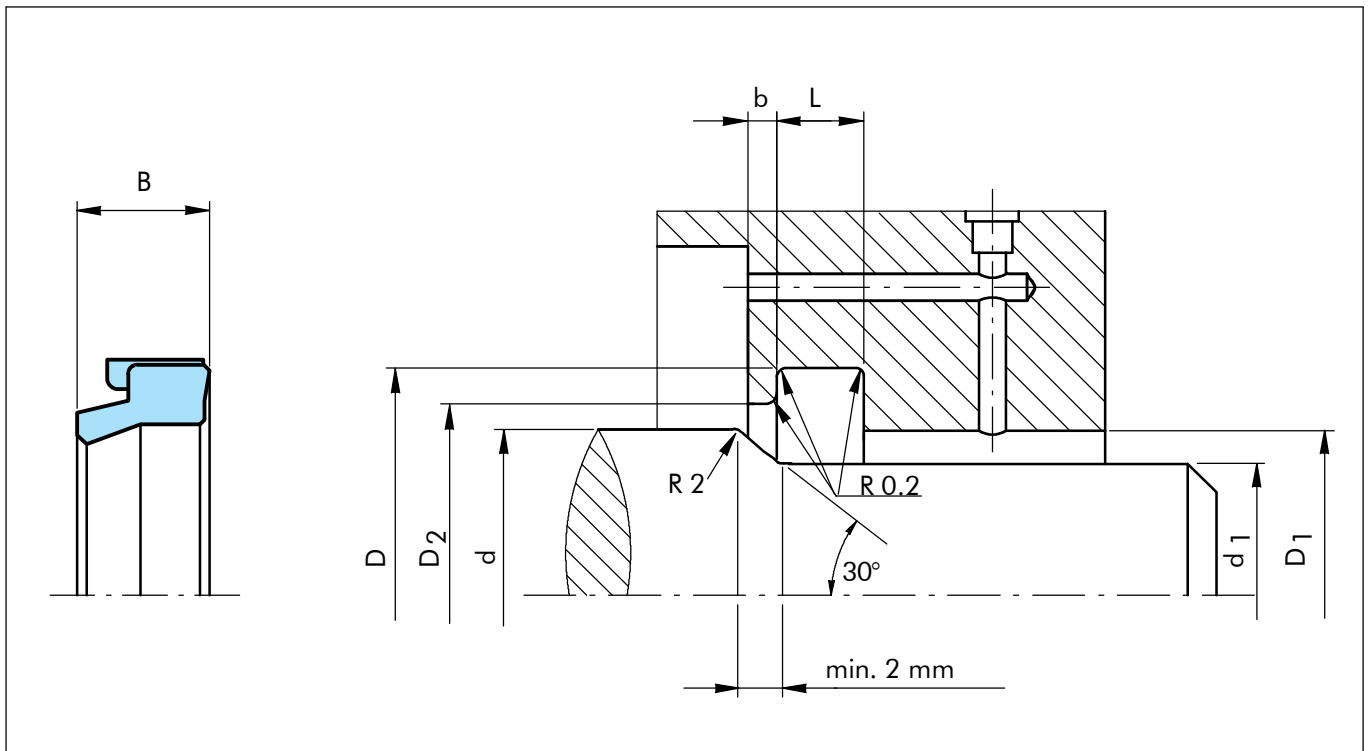


Figure 21 Installation drawing

Table XXXV Installation dimensions / TSS Part No.

Rod diameter d h10	Groove dimensions						Ring width B	TSS Part No.
	D H11	D₁ H11	D₂ H11	L ±0.1	d₁ h11	b +0.2		
6.0	10.0	6.5	8.0	3.7	4.5	2.0	AICM00060	
8.0	11.6	8.5	10.0	3.3	7.0	2.0	AICM00080	
9.5	15.0	10.0	12.0	4.5	8.0	2.0	AICM00095	
10.0	18.0	11.0	15.0	7.0	8.0	2.0	AICM00100	
12.0	18.0	13.0	15.5	4.8	10.0	2.0	AICM10120	
12.0	20.0	13.0	17.0	7.0	10.0	2.0	AICM00120	
14.0	22.0	15.0	19.0	7.0	12.0	2.0	AICM00140	
16.0	22.0	17.0	19.5	5.2	14.0	2.0	AICM10160	
16.0	24.0	17.0	21.0	7.0	14.0	2.0	AICM00160	
18.0	26.0	19.0	23.0	7.0	16.0	2.0	AICM00180	
20.0	28.0	21.0	24.0	7.0	17.5	2.0	AICM00200	
22.0	30.0	23.0	26.0	7.0	19.5	2.0	AICM00220	
25.0	33.0	26.0	29.0	7.0	22.5	2.0	AICM00250	
28.0	36.0	29.0	32.0	7.0	25.5	2.0	AICM00280	
30.0	40.0	31.5	35.0	7.0	27.5	2.0	AICM00300	
32.0	42.0	33.5	37.0	7.0	29.0	2.0	AICM00320	
36.0	46.0	37.5	41.0	7.0	33.0	2.0	AICM00360	
40.0	50.0	41.5	45.0	7.0	37.0	2.0	AICM00400	
50.0	60.0	51.5	55.0	7.0	47.0	2.0	AICM00500	
57.0	74.0	60.0	65.0	12.5	54.0	2.0	AICM00570	